

QMY Series DC Rectifier Model: QMY100S10 (Output 10V/10A)



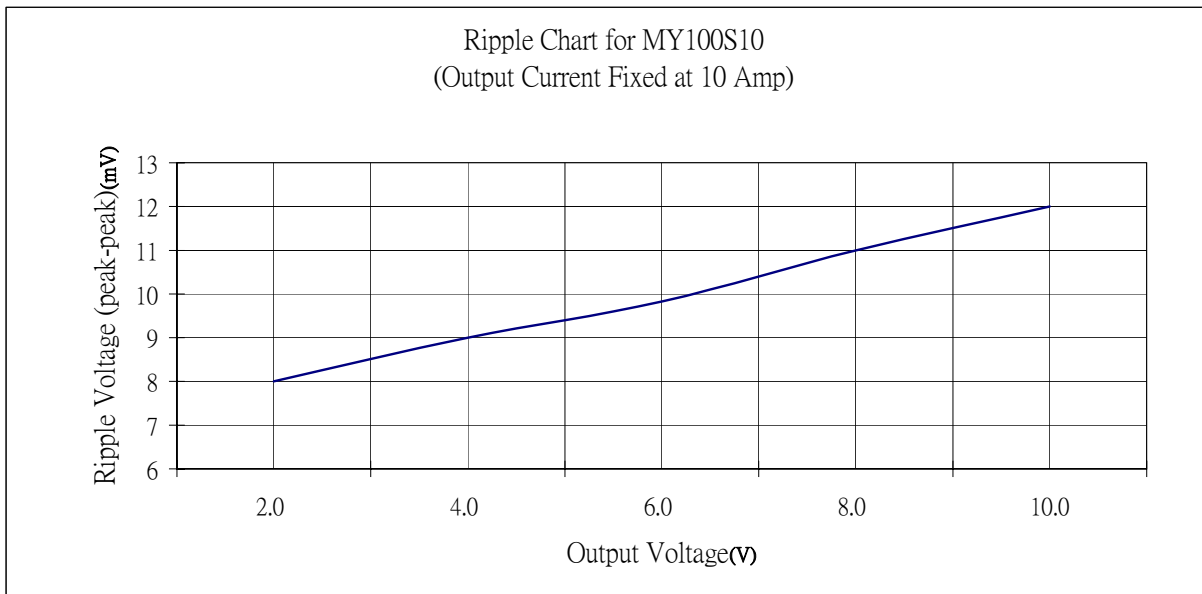
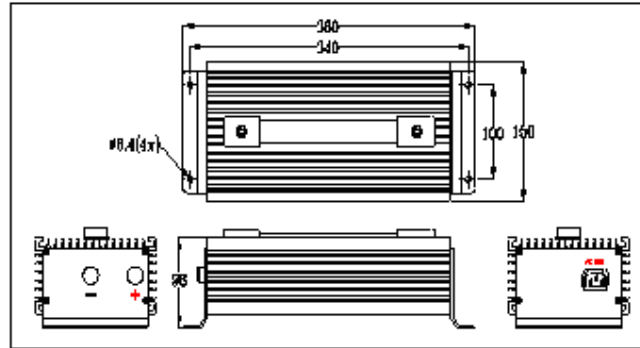
Features

- Corrosion-resistant chassis with self-cooling function shields all electronic components
- No extra protection facilities needed for the rectifier working in plating environment
- Can operate in normal condition without adding any cooling facilities
- Low ripple factor contributing good plating distribution
- Extremely compact design
- Ease of interface with computer for automatic control

Plating Rectifier

Specification

Output Voltage DCV		10V
Output Current DCA		1A -10A
Input (Single Phase)	Voltage (Volt)	200-260 Nominal 220
	Current (Amp)	1 A
Dimension (LxWxH)		360mmx150mmx96mm
Weight (Kg)		4.05



Process Automation (SEA) Pte. Ltd.

Add: #03-87, Blk 211 Woodlands Avenue 9,
Woodlands East Industrial Estate, Singapore 738960

Tel: (65) 64827037
Fax: (65) 64827036
Web: www.palsea.com
Enquiry: sp@palsea.com

Contact Our Nearest Distributor:

* Specification of the rectifier may be changed without prior notice due to continuous product development.

Quality Power Rectifier Series
www.palsea.com